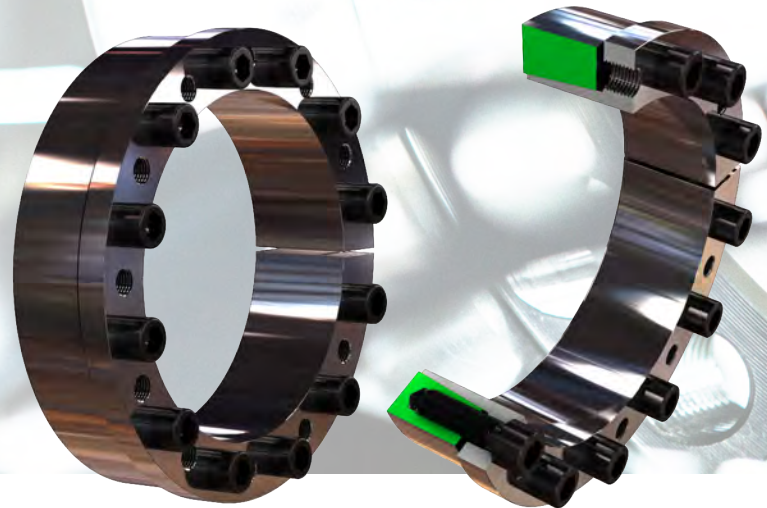
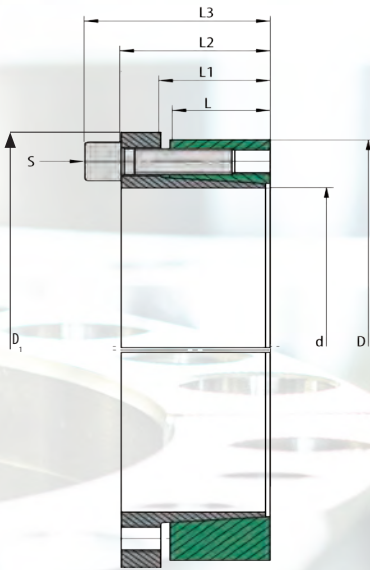
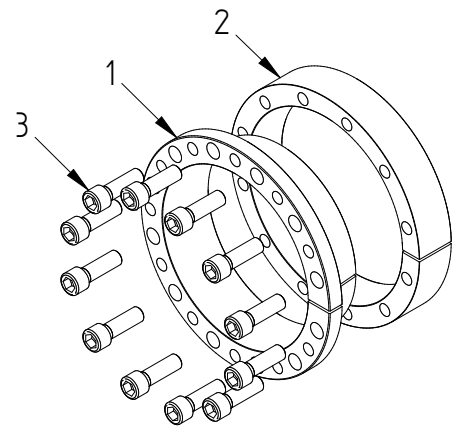


# 3006



## Used symbols

|          |                      |  |              |
|----------|----------------------|--|--------------|
| d        | [mm]                 | Shaft diameter                             |              |
| D        | [mm]                 | Hub inside diameter                        |              |
| $M_t$    | [Nm]                 | Max. transmittable torque                  | $F_{ax} = 0$ |
| $F_{ax}$ | [kN]                 | Max. transmittable axial force             | $M_t = 0$    |
| $p_w$    | [N/mm <sup>2</sup> ] | Average pressure on the shaft              |              |
| $p_N$    | [N/mm <sup>2</sup> ] | Average pressure on the hub                |              |
| L        | [mm]                 | Length of the pressure ring                |              |
| $L_1$    | [mm]                 | Distance of the pressure ring              |              |
| $L_2$    | [mm]                 | Width of the locking device without screws |              |
| $L_3$    | [mm]                 | Width of the locking device with screws    |              |
| Z        |                      | Number of clamping screws                  |              |
| S        |                      | Size of the clamping screws                |              |
| $M_A$    | [Nm]                 | Tightening torque of the clamping screws   |              |



## Recommended tolerances & surfaces

|       |           |
|-------|-----------|
| Shaft | h8 / Rz10 |
| Hub   | H8 / Rz10 |

## Bending loads

|                        |                               |
|------------------------|-------------------------------|
| Bending moment (share) | $M_B \text{ max} = 0,3 * M_t$ |
| Bending angle          | max. 5°                       |

## More properties

- axial displacement during assembly
- good self-centering
- low self-locking

| Pos. | Designation   |
|------|---------------|
| 1    | Sleeve        |
| 2    | Pressure ring |
| 3    | Screw         |

Ordering information: TAS 3006/d/D (e.g: TAS 3006/150/200 ... further sizes on request)

## 3006

| <b>d</b><br>mm |   | <b>D</b><br>mm | <b>D1</b><br>mm | <b>M<sub>t</sub></b><br>Nm | <b>F<sub>ax</sub></b><br>kN | <b>P<sub>w</sub></b><br>N/mm <sup>2</sup> | <b>P<sub>N</sub></b><br>N/mm <sup>2</sup> | <b>Z</b><br>Pcs. | <b>S</b>  | <b>M<sub>A</sub></b><br>Nm | <b>L</b><br>mm | <b>L<sub>1</sub></b><br>mm | <b>L<sub>2</sub></b><br>mm | <b>L<sub>3</sub></b><br>mm | <b>Weight</b><br>kg |
|----------------|---|----------------|-----------------|----------------------------|-----------------------------|---|---|------------------|-----------|----------------------------|----------------|----------------------------|----------------------------|----------------------------|---------------------|
| 20             | x | 47             | 53              | 320                        | 32                          | 250                                       | 106                                       | 6                | M6 x 020  | 17                         | 17             | 22                         | 28                         | 34                         | 0,28                |
| 22             | x | 47             | 53              | 350                        | 32                          | 226                                       | 106                                       | 6                | M6 x 020  | 17                         | 17             | 22                         | 28                         | 34                         | 0,27                |
| 24             | x | 50             | 56              | 390                        | 33                          | 211                                       | 101                                       | 6                | M6 x 020  | 17                         | 17             | 22                         | 28                         | 34                         | 0,30                |
| 25             | x | 50             | 56              | 400                        | 32                          | 200                                       | 100                                       | 6                | M6 x 020  | 17                         | 17             | 22                         | 28                         | 34                         | 0,29                |
| 28             | x | 55             | 61,4            | 450                        | 32                          | 179                                       | 91  | 6                | M6 x 020  | 17                         | 17             | 22                         | 28                         | 34                         | 0,32                |
| 30             | x | 55             | 61,4            | 490                        | 33                          | 170                                       | 93  | 6                | M6 x 020  | 17                         | 17             | 22                         | 28                         | 34                         | 0,33                |
| 32             | x | 60             | 67              | 700                        | 44                          | 213                                       | 114                                       | 8                | M6 x 020  | 17                         | 17             | 22                         | 28                         | 34                         | 0,37                |
| 35             | x | 60             | 67              | 760                        | 43                          | 194                                       | 113                                       | 8                | M6 x 020  | 17                         | 17             | 22                         | 28                         | 34                         | 0,37                |
| 38             | x | 65             | 72              | 820                        | 43                          | 177                                       | 104                                       | 8                | M6 x 020  | 17                         | 17             | 22                         | 28                         | 34                         | 0,43                |
| 40             | x | 65             | 72              | 870                        | 44                          | 170                                       | 104                                       | 8                | M6 x 020  | 17                         | 17             | 22                         | 28                         | 34                         | 0,40                |
| 42             | x | 75             | 84              | 1700                       | 81                          | 256                                       | 143                                       | 8                | M8 x 025  | 41                         | 20             | 25                         | 33                         | 41                         | 0,69                |
| 45             | x | 75             | 84              | 1800                       | 80                          | 236                                       | 141                                       | 8                | M8 x 025  | 41                         | 20             | 25                         | 33                         | 41                         | 0,64                |
| 48             | x | 80             | 89              | 1900                       | 79                          | 219                                       | 131                                       | 8                | M8 x 025  | 41                         | 20             | 24                         | 33,5                       | 41                         | 0,74                |
| 50             | x | 80             | 89              | 2000                       | 80                          | 212                                       | 133                                       | 8                | M8 x 025  | 41                         | 20             | 24                         | 33,5                       | 41                         | 0,70                |
| 55             | x | 85             | 94              | 2200                       | 80                          | 193                                       | 125                                       | 8                | M8 x 025  | 41                         | 20             | 24                         | 33,5                       | 41                         | 0,75                |
| 60             | x | 90             | 99              | 2400                       | 80                          | 177                                       | 118                                       | 8                | M8 x 025  | 41                         | 20             | 24                         | 33,5                       | 41                         | 0,80                |
| 65             | x | 95             | 104             | 2600                       | 80                          | 163                                       | 112                                       | 8                | M8 x 025  | 41                         | 20             | 24                         | 33,5                       | 41                         | 0,86                |
| 70             | x | 110            | 119             | 4600                       | 131                         | 208                                       | 132                                       | 8                | M10 x 030 | 83                         | 24             | 29                         | 40                         | 50                         | 1,60                |
| 75             | x | 115            | 124             | 5000                       | 133                         | 196                                       | 128                                       | 8                | M10 x 030 | 83                         | 24             | 29                         | 40                         | 50                         | 1,69                |
| 80             | x | 120            | 129             | 5300                       | 133                         | 183                                       | 122                                       | 8                | M10 x 030 | 83                         | 24             | 29                         | 40                         | 50                         | 1,73                |
| 85             | x | 125            | 134             | 7000                       | 165                         | 214                                       | 146                                       | 10               | M10 x 030 | 83                         | 24             | 29                         | 40                         | 50                         | 1,81                |
| 90             | x | 130            | 139             | 7400                       | 164                         | 202                                       | 140                                       | 10               | M10 x 030 | 83                         | 24             | 29                         | 40                         | 50                         | 1,95                |
| 95             | x | 135            | 144             | 7800                       | 164                         | 191                                       | 134                                       | 10               | M10 x 030 | 83                         | 24             | 29                         | 40                         | 50                         | 2,04                |
| 100            | x | 145            | 154             | 9700                       | 194                         | 198                                       | 136                                       | 8                | M12 x 035 | 145                        | 26             | 31                         | 44                         | 56                         | 2,72                |
| 110            | x | 155            | 164             | 10700                      | 195                         | 180                                       | 128                                       | 8                | M12 x 035 | 145                        | 26             | 31                         | 44                         | 56                         | 2,94                |
| 120            | x | 165            | 174             | 13100                      | 218                         | 186                                       | 135                                       | 9                | M12 x 035 | 145                        | 26             | 31                         | 44                         | 56                         | 3,24                |
| 130            | x | 180            | 189             | 19000                      | 292                         | 175                                       | 127                                       | 12               | M12 x 035 | 145                        | 34             | 39                         | 52                         | 68                         | 4,87                |
| 140            | x | 190            | 199             | 20500                      | 293                         | 163                                       | 120                                       | 9                | M14 x 040 | 230                        | 34             | 39                         | 54                         | 68                         | 5,19                |
| 150            | x | 200            | 209             | 24500                      | 327                         | 170                                       | 127                                       | 10               | M14 x 040 | 230                        | 34             | 39                         | 54                         | 68                         | 5,50                |
| 160            | x | 210            | 219             | 31300                      | 391                         | 191                                       | 145                                       | 12               | M14 x 040 | 230                        | 34             | 39                         | 54                         | 68                         | 5,82                |
| 170            | x | 225            | 234             | 33200                      | 391                         | 139                                       | 105                                       | 12               | M14 x 040 | 230                        | 44             | 49                         | 64                         | 78                         | 8,17                |
| 180            | x | 235            | 244             | 35000                      | 389                         | 130                                       | 100                                       | 12               | M14 x 040 | 230                        | 44             | 49                         | 64                         | 78                         | 8,58                |
| 190            | x | 250            | 259             | 46500                      | 489                         | 155                                       | 118                                       | 15               | M14 x 040 | 230                        | 44             | 49                         | 64                         | 78                         | 9,93                |
| 200            | x | 260            | 269             | 49000                      | 490                         | 148                                       | 114                                       | 15               | M14 x 040 | 230                        | 44             | 49                         | 64                         | 78                         | 10,38               |